

STUDYING THE WERKSTATT'S ANALOG CIRCUITS

The Werkstatt circuitry was designed to invite exploration and study of its analog circuits. The complete schematic for the Werkstatt Printed Circuit Board can be downloaded from moogmusic.com/werkstatt

SCHEMATIC DOWNLOAD AGREEMENT

By downloading the Werkstatt schematic, you are agreeing to the following terms:

1. All copyrights to the circuit diagrams for the Werkstatt are the property of MOOG MUSIC INC. Copying this content in part or in whole without the permission of the copyright owner is forbidden by copyright law. However, you are permitted to make a single copy for personal non-commercial purposes.
2. You are expressly forbidden to engage in commercial activities such as selling the circuit diagram materials that you have copied in part or in whole.
3. The circuit diagrams are provided for customers who have purchased the product and are using it, and the reader is assumed to be a user of the product. Please be aware that in some cases, MOOG MUSIC INC., its authorized dealers, and distributors may be unable to respond to inquiries regarding published circuit diagram materials from people who have not purchased the product.
4. Specifications and electronic circuits of products are subject to change without notice.
5. MOOG MUSIC INC. does not recommend modification of its products.
6. Please be aware that modifying it will void the warranty.
7. MOOG MUSIC INC., its authorized dealers, and the distributors shall bear no liability for any damages (loss of business profits or data, financial loss, or impairment of health) resulting from your use of these circuit diagrams. This limitation of liability shall apply even if MOOG MUSIC INC., its authorized dealers, and the distributors had been informed beforehand of the possibility of such damages.
8. Please be aware that this downloading service may be terminated or modified without notice.

6

5

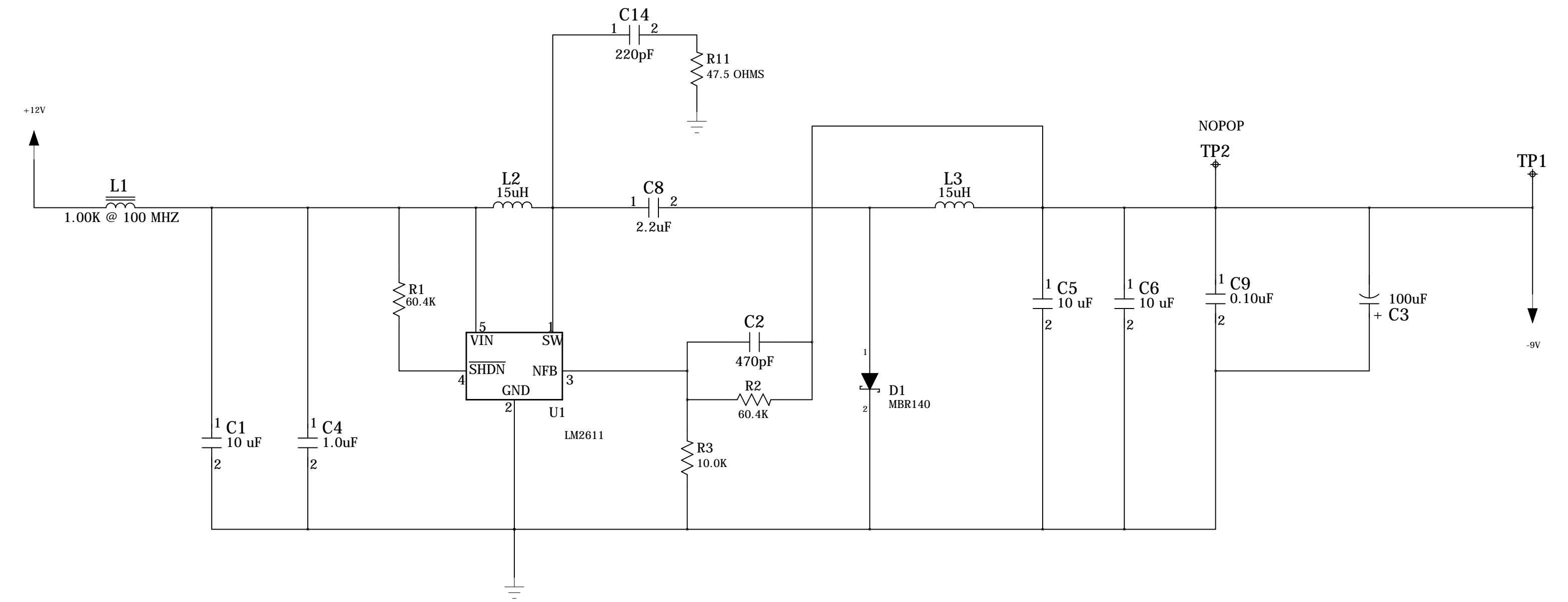
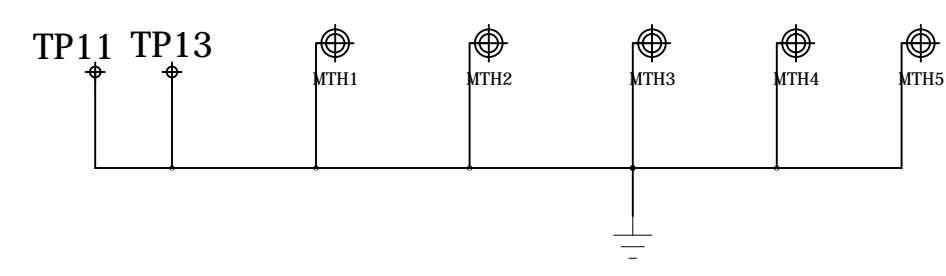
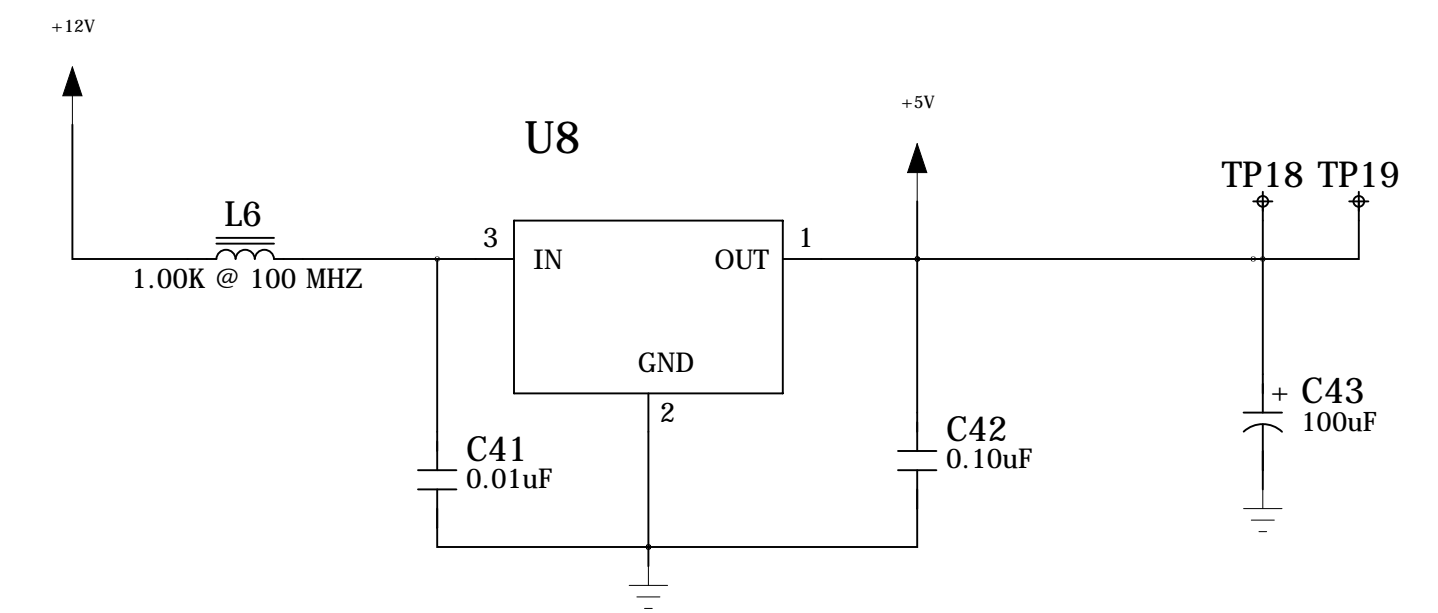
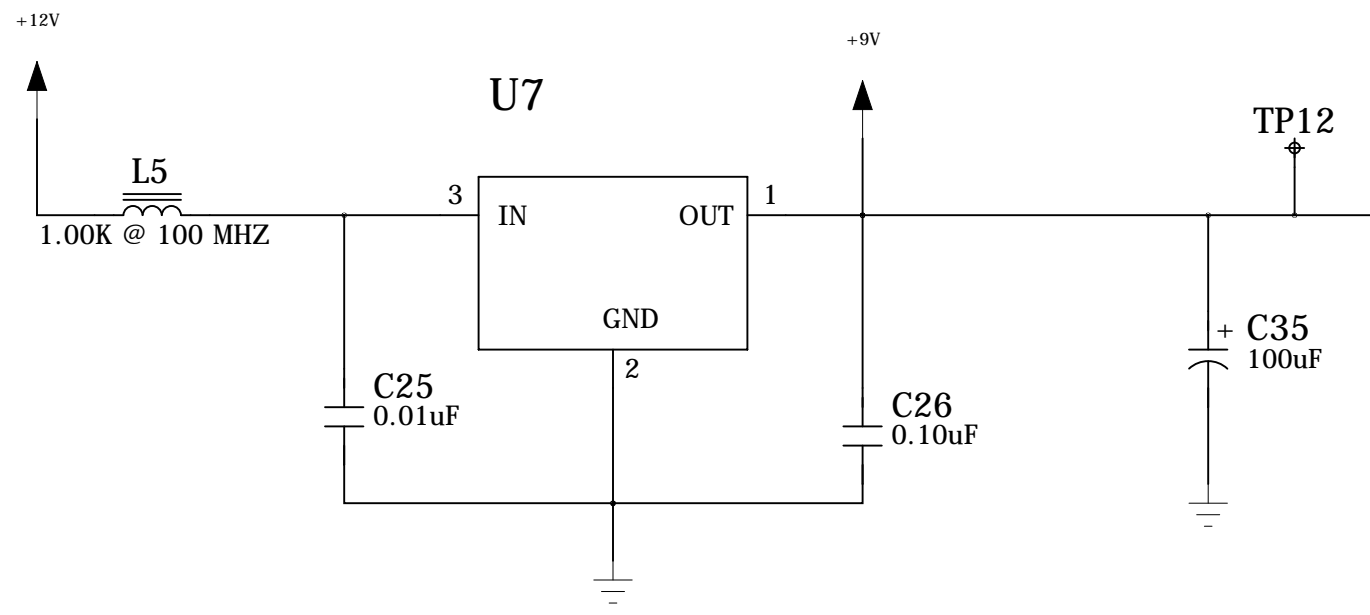
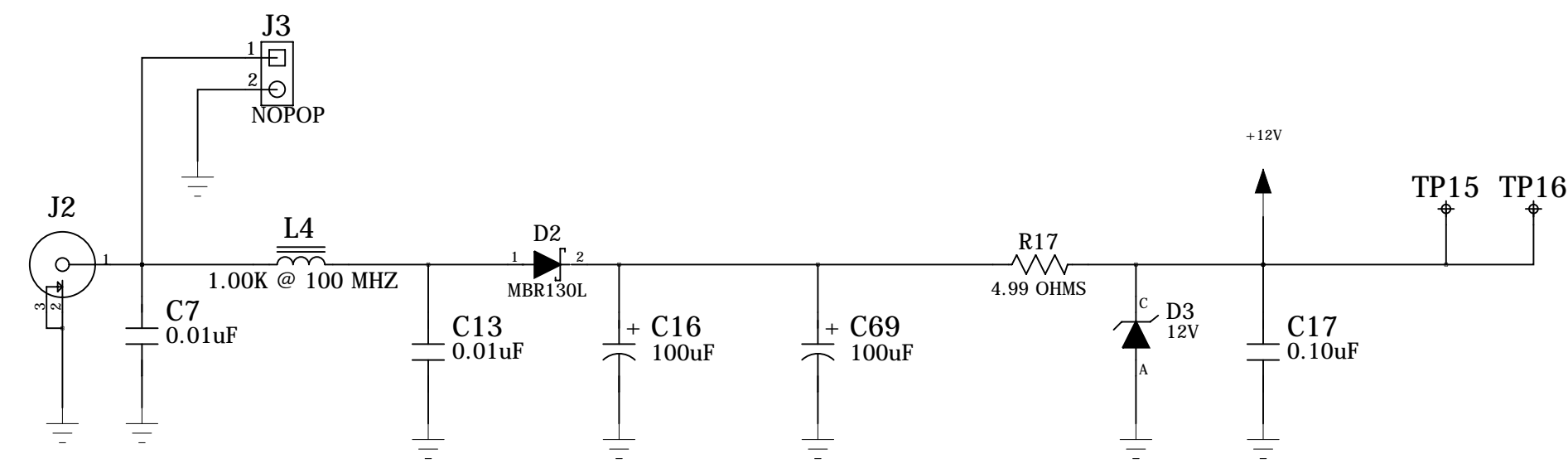
4

3

2

1


REVISIONS			
REV.	DESCRIPTION	CHANGE BY	DATE
1	PROTOTYPE	SD	12/16/13
A	RELEASE - PILOT	SD	3/17/14
B	2nd RELEASE - PRODUCTION	<RevChangedBy>	<revBdate>



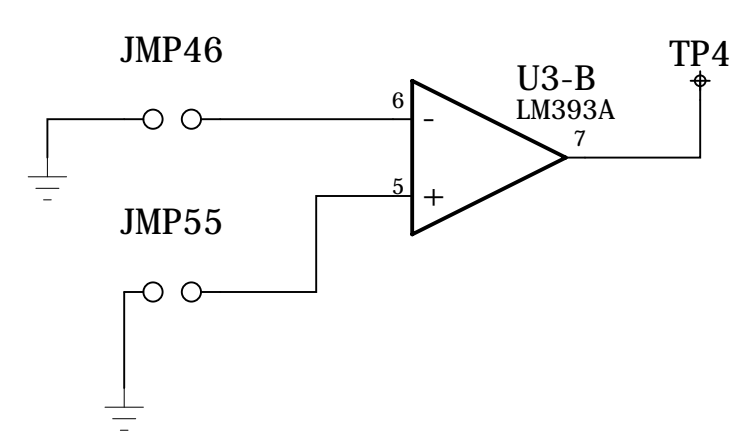
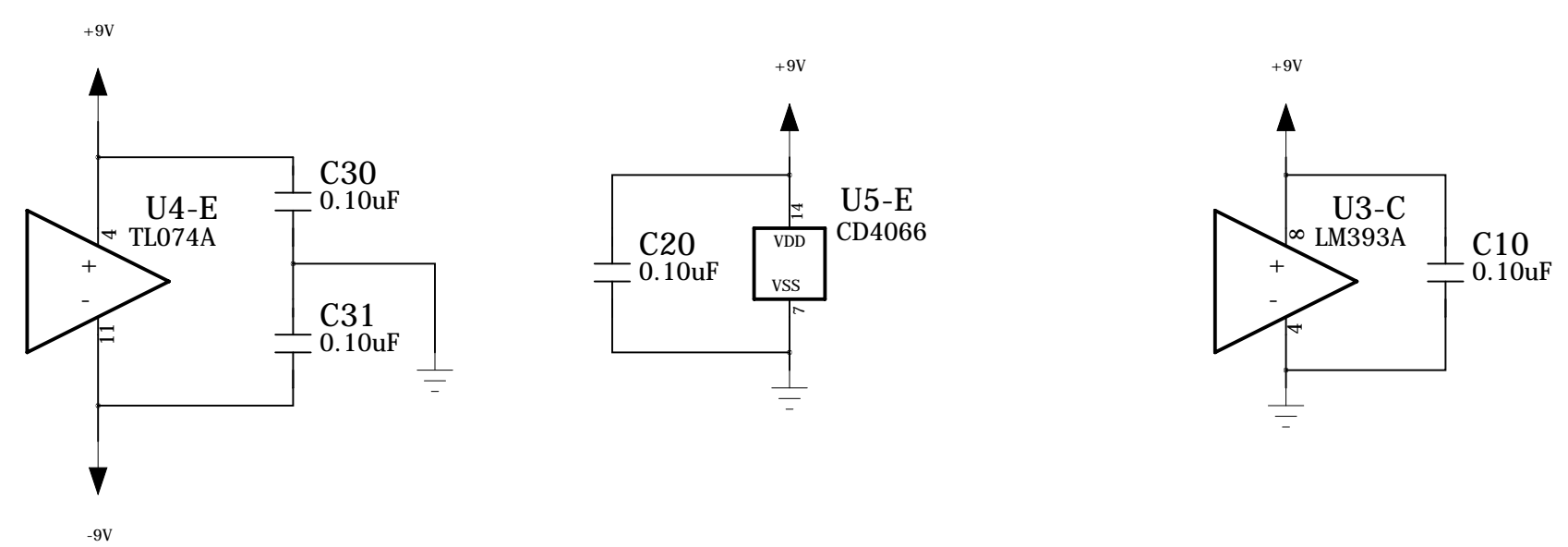
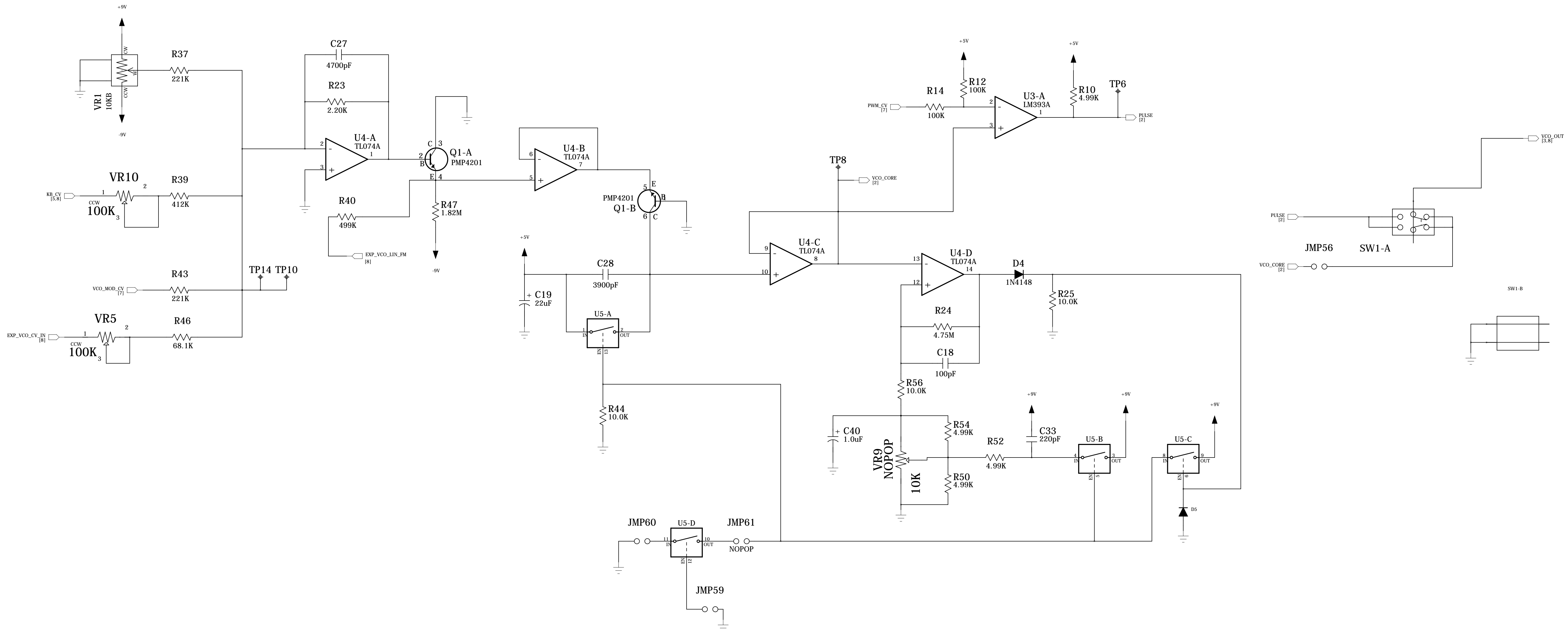
BRD-10-011-1111

BRD-10-011-1111

NOTES: (UNLESS OTHERWISE SPECIFIED):
 1. RESISTORS 0805, 1%, 1/8W, VALUE IN OHMS
 2. CAPACITORS 0805, X7R, 50V, VALUE IN uF
 CAPS <= 1000pF COG 5% 50V

DRAFTER SD	DATE 3/17/14	THE INFORMATION ON THIS DRAWING IS THE CONFIDENTIAL, COPYRIGHTED PROPERTY OF MOOG MUSIC INC. IT IS NOT TO BE REPRODUCED, USED, OR DISCLOSED EXCEPT TO THOSE WITHIN YOUR ORGANIZATION ON A NEED TO KNOW BASIS. RELEASE TO A THIRD PARTY IS ALLOWED BUT ONLY WITH THE WRITTEN PERMISSION OF MOOG MUSIC INC.	
DESIGN ENG. SD	DATE 2/24/14	 MOOG MUSIC INC. 160 BROADWAY STREET Asheville, NC 28801 (828) 251-0090 Fax (828) 254-6233 http://www.moogmusic.com	
PROJECT MGR. <mgr>	DATE <Date3>		
MANUFACTURING <mfg>	DATE <Date4>	TITLE WERKSTATT POWER MAIN PCB	
PLANT MANAGER <op mgr>	DATE <Date5>	PRESIDENT DATE <Date6>	
PURCHASING <purchasing>	DATE <Date7>	SIZE FILENAME BRD-10-011-1111_RevA1.sch	DWG. NO. BRD-10-011-1111
DOC. CONTROL <Doc Ctl>	DATE <Date8>	CAD DIRECTORY <directory>	PROJECT CODE Werkstatt
		SHEET NO. 1	REV A1
		3/17/2014	

REVISIONS			
REV.	DESCRIPTION	CHANGE BY	DATE
1	PROTOTYPE	SD	12/16/13
A	RELEASE - PILOT	SD	3/17/14
B	2nd RELEASE - PRODUCTION	<RevChnged by>	<revBdate>



NOTES: (UNLESS OTHERWISE SPECIFIED):
 1. RESISTORS 0805, 1%, 1/8W, VALUE IN OHMS
 2. CAPACITORS 0805, X7R, 50V, VALUE IN uF
 CAPS <= 1000pF COG 5% 50V

DRAFTER SD	DATE 3/17/14	THE INFORMATION ON THIS DRAWING IS THE CONFIDENTIAL, COPYRIGHTED PROPERTY OF MOOG MUSIC INC. IT IS NOT TO BE REPRODUCED, USED, OR DISCLOSED EXCEPT TO THOSE WITHIN YOUR ORGANIZATION ON A NEED TO KNOW BASIS. RELEASE TO A THIRD PARTY IS ALLOWED BUT ONLY WITH THE WRITTEN PERMISSION OF MOOG MUSIC INC.	
DESIGN ENG. SD	DATE 2/24/14	MOOG MUSIC INC. 160 BROADWAY STREET Asheville, NC 28801 (828) 251-0090 Fax (828) 254-6233 http://www.moogmusic.com	
PROJECT MGR. <mgr>	DATE <Date3>		
MANUFACTURING <mfg>	DATE <Date4>	WERKSTATT VCO MAIN PCB	
PLANT MANAGER <op mgr>	DATE <Date5>		
PURCHASING <purchasing>	DATE <Date6>	SIZE FILENAME BRD-10-011-1111_RevA1.sch	DWG. NO. BRD-10-011-1111
PRESIDENT <Pres>	DATE <Date7>	CAD DIRECTORY <directory>	PROJECT CODE Werkstatt
DOC. CONTROL <Doc Ctl>	DATE <Date8>	SHEET NO. 2 OF 8	

3/17/2014

BRD-10-011-1111

BRD-10-011-1111

REVISIONS			
REV.	DESCRIPTION	CHANGE BY	DATE
1	PROTOTYPE	SD	12/16/13
A	RELEASE - PILOT	SD	3/17/14
B	2nd RELEASE - PRODUCTION	<RevChangedBy>	<revBdate>

D

C

B

A

D

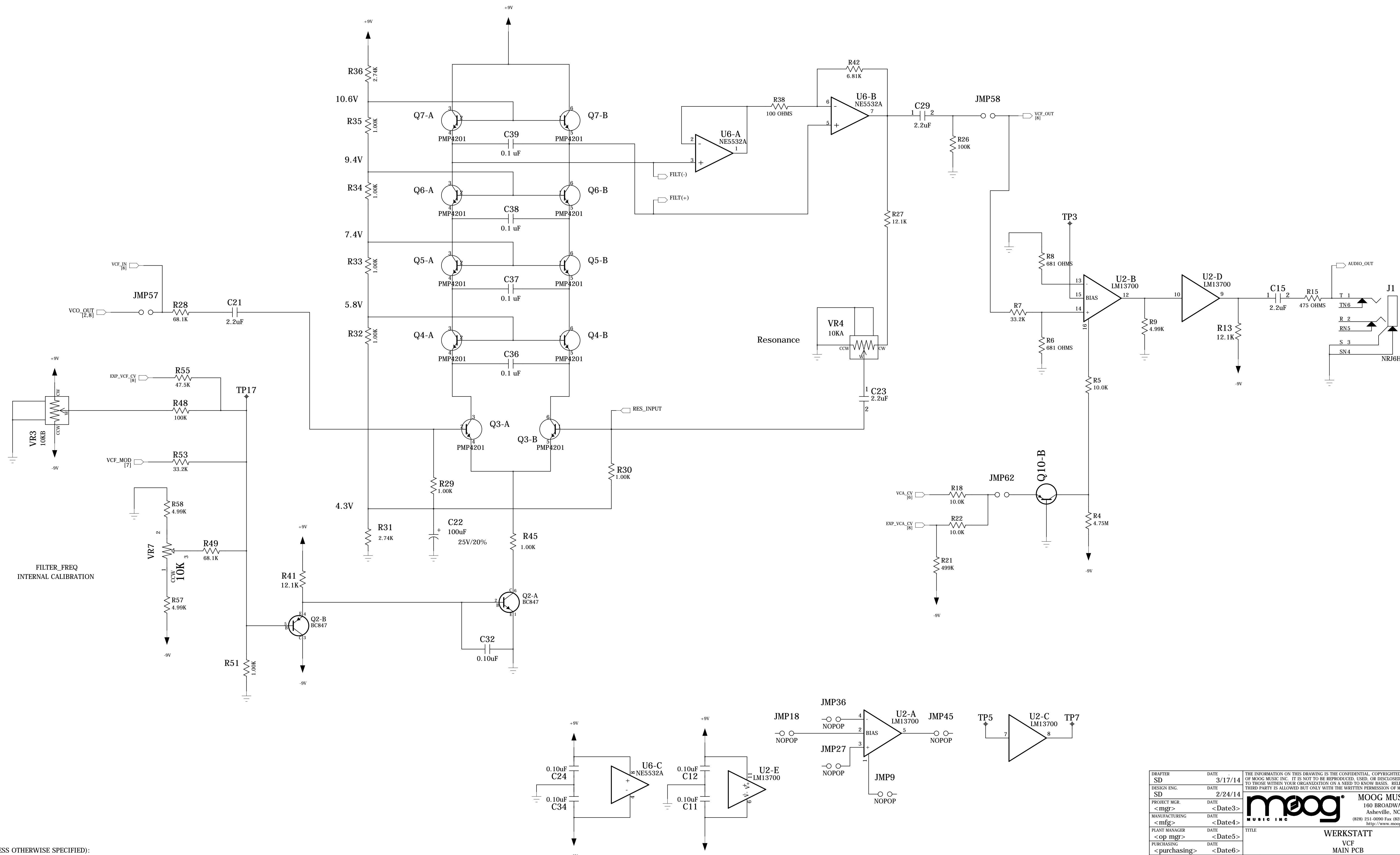
C

B

A

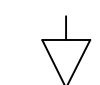
BRD-10-011-1111

BRD-10-011-1111

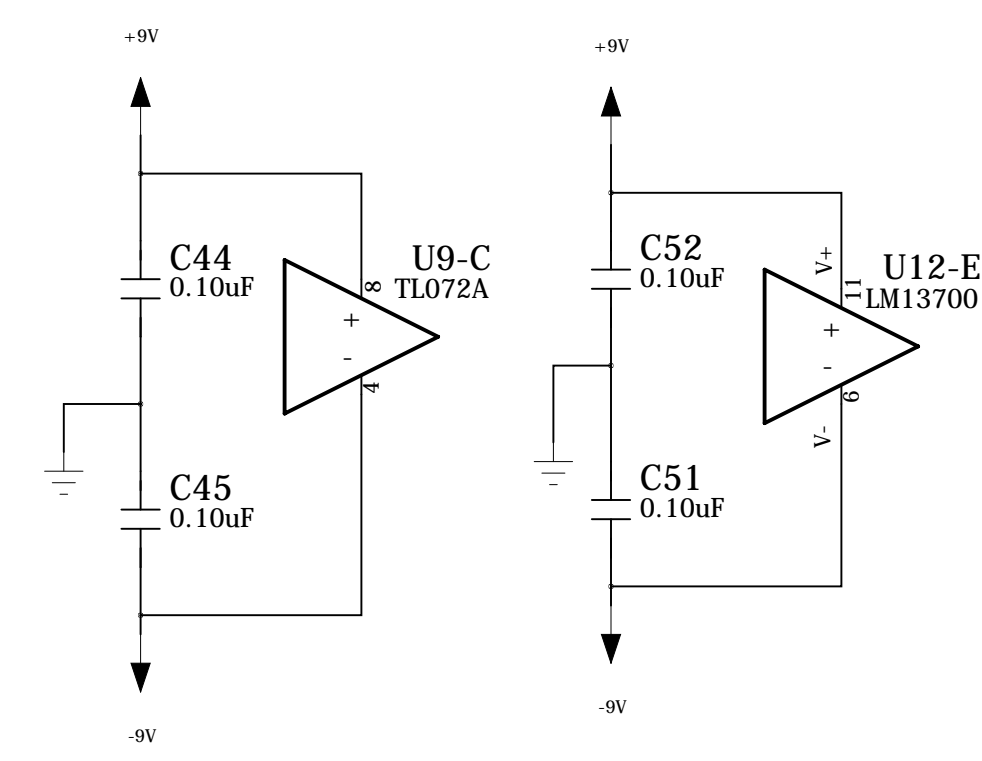
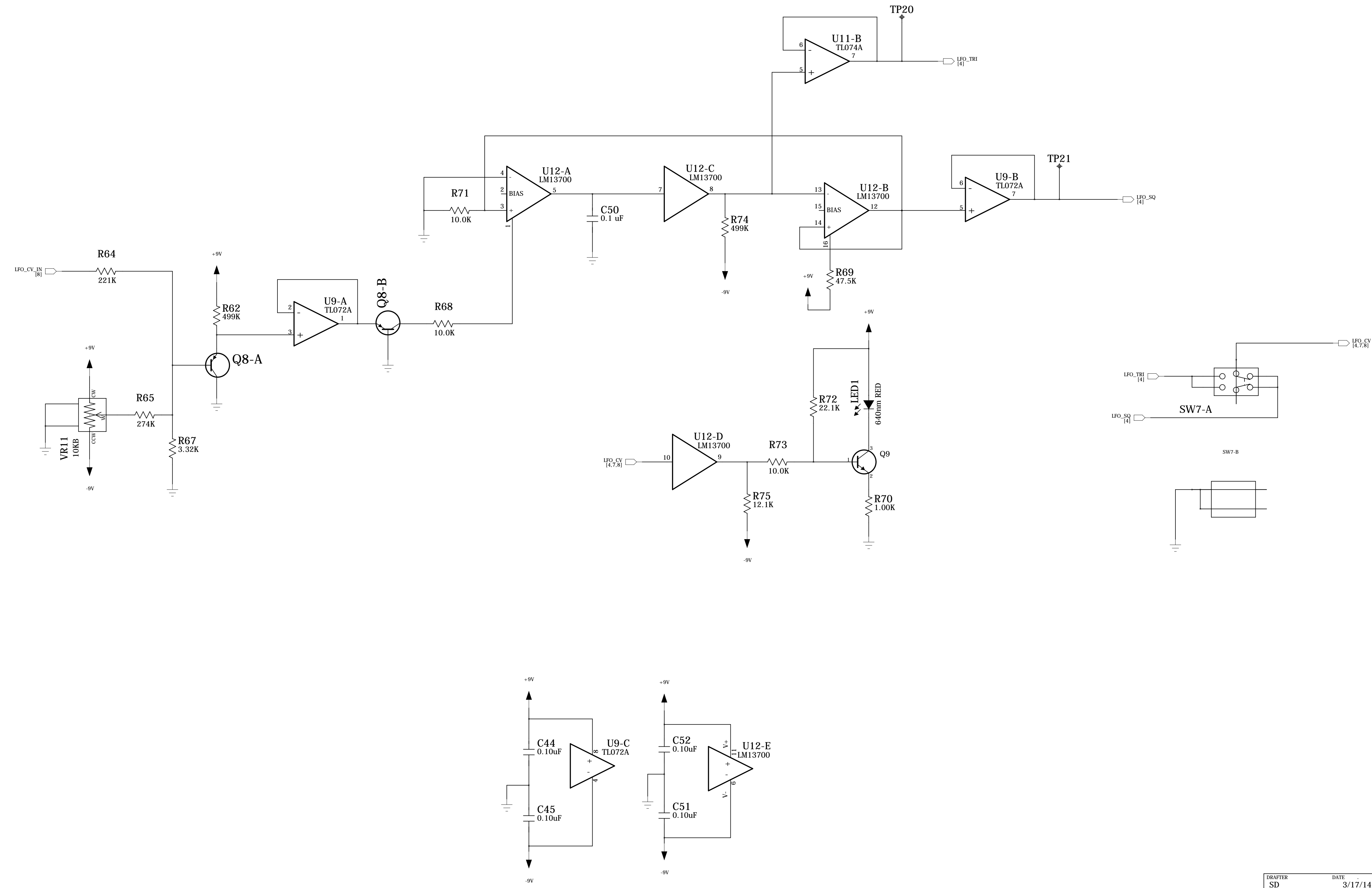


NOTES: (UNLESS OTHERWISE SPECIFIED):
 1. RESISTORS 0805, 1%, 1/8W, VALUE IN OHMS
 2. CAPACITORS 0805, X7R, 50V, VALUE IN uF
 CAPS <= 100uF COG 5% 50V

DRAFTER SD	DATE 3/17/14	THE INFORMATION ON THIS DRAWING IS THE CONFIDENTIAL, COPYRIGHTED PROPERTY OF MOOG MUSIC INC. IT IS NOT TO BE REPRODUCED, USED, OR DISCLOSED EXCEPT TO THOSE WITHIN YOUR ORGANIZATION ON A NEED TO KNOW BASIS. RELEASE TO A THIRD PARTY IS ALLOWED BUT ONLY WITH THE WRITTEN PERMISSION OF MOOG MUSIC INC.	
DESIGN ENG. SD	DATE 2/24/14	MOOG MUSIC INC. 160 BROADWAY STREET Asheville, NC 28801 (828) 251-0090 Fax (828) 254-6233 http://www.moogmusic.com	
PROJECT MGR. <mgr>	DATE <Date3>		
MANUFACTURING <mfg>	DATE <Date4>	WERKSTATT VCF MAIN PCB	
PLANT MANAGER <op mgr>	DATE <Date5>		
PURCHASING <purchasing>	DATE <Date6>	SIZE FILENAME	DWG. NO.
PRESIDENT <Pres>	DATE <Date7>	BRD-10-011-1111_RevA1.sch	BRD-10-011-1111
DOC CONTROL <Doc Ctl>	DATE <Date8>	CAD DIRECTORY	PROJECT CODE Werkstatt
		SHEET NO.	REV
		3 OF 8	A1



REVISIONS			
REV.	DESCRIPTION	CHANGE BY	DATE
1	PROTOTYPE	SD	12/16/13
A1	RELEASE - PILOT	SD	3/17/14
B	2nd RELEASE - PRODUCTION	<RevBchanged>	<revBdate>



BRD-10-011-1111

BRD-10-011-1111

NOTES: (UNLESS OTHERWISE SPECIFIED):
 1. RESISTORS 0805, 1%, 1/8W, VALUE IN OHMS
 2. CAPACITORS 0805, X7R, 50V, VALUE IN uF
 CAPS <= 1000pF COG 5% 50V

DRAFTER SD	DATE 3/17/14	THE INFORMATION ON THIS DRAWING IS THE CONFIDENTIAL, COPYRIGHTED PROPERTY OF MOOG MUSIC INC. IT IS NOT TO BE REPRODUCED, USED, OR DISCLOSED EXCEPT TO THOSE WITHIN YOUR ORGANIZATION ON A NEED TO KNOW BASIS. RELEASE TO A THIRD PARTY IS ALLOWED BUT ONLY WITH THE WRITTEN PERMISSION OF MOOG MUSIC INC.	
DESIGN ENG. SD	DATE 2/24/14	MOOG MUSIC INC. 160 BROADWAY STREET Asheville, NC 28801 (828) 251-0090 Fax (828) 254-6233 http://www.moogmusic.com	
PROJECT MGR. <mgr>	DATE <Date3>		
MANUFACTURING <mfg>	DATE <Date4>	WERKSTATT LFO MAIN PCB	
PLANT MANAGER <op mgr>	DATE <Date5>		
PURCHASING <purchasing>	DATE <Date6>	SIZE A1	FILENAME BRD-10-011-1111_RevA1.sch
PRESIDENT <Pres>	DATE <Date7>	DWG. NO. BRD-10-011-1111	REV A1
DOC. CONTROL <Doc Ctl>	DATE <Date8>	CAD DIRECTORY <directory>	PROJECT CODE Werkstatt
		SHEET NO. 4 OF 8	

REVISIONS			
REV.	DESCRIPTION	CHANGE BY	DATE
1	PROTOTYPE	SD	12/16/13
A	RELEASE - PILOT	SD	3/17/14
B	2nd RELEASE - PRODUCTION	<RevChanged>	<revBdate>

D

C

B

A

D

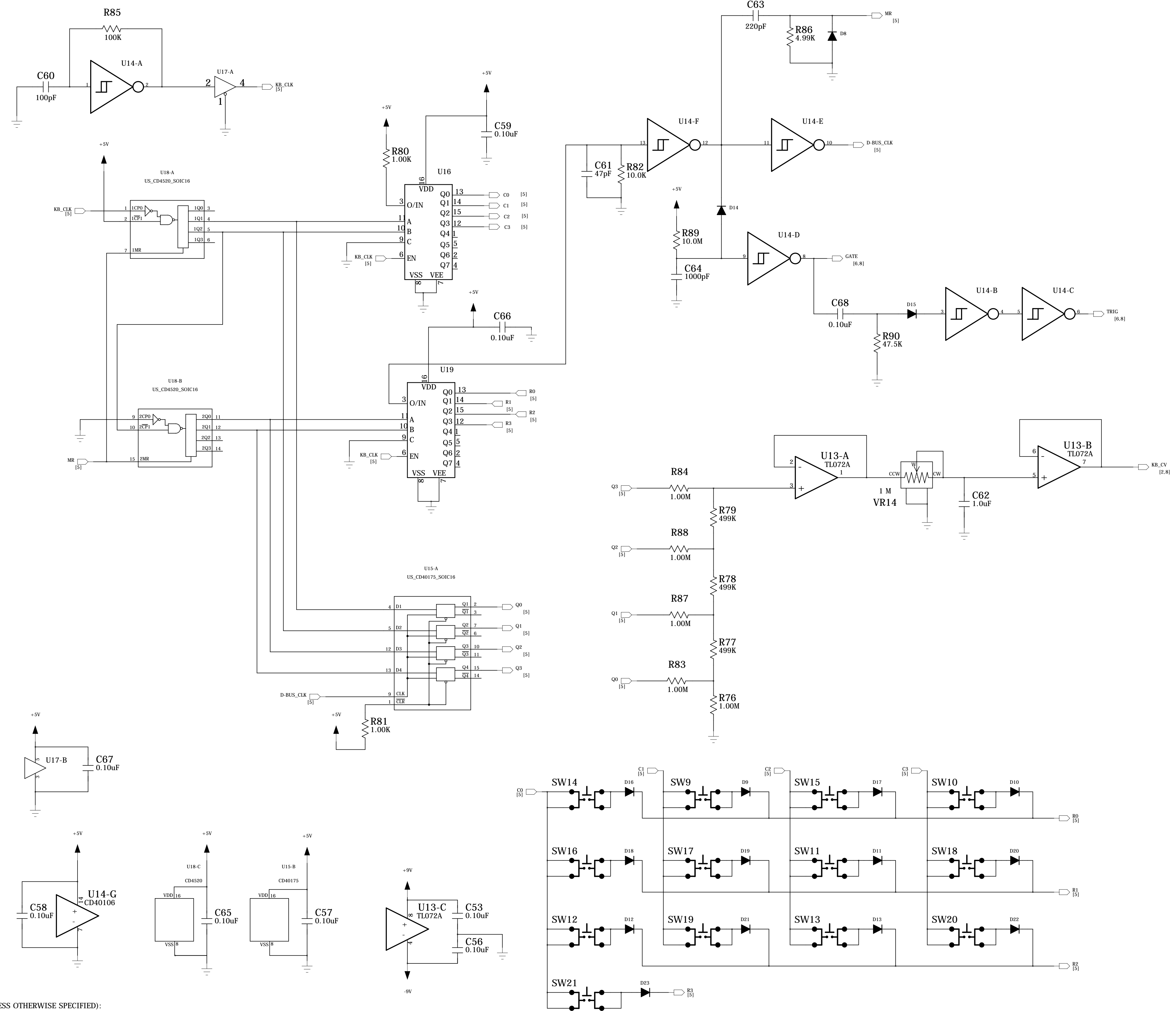
C

B


A

BRD-10-011-1111

BRD-10-011-1111



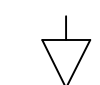
NOTES: (UNLESS OTHERWISE SPECIFIED):
 1. RESISTORS 0805, 1%, 1/8W, VALUE IN OHMS
 2. CAPACITORS 0805, X7R, 50V, VALUE IN uF
 CAPS <= 1000pF COG 5% 50V

DRAFTER SD	DATE 3/17/14	THE INFORMATION ON THIS DRAWING IS THE CONFIDENTIAL, COPYRIGHTED PROPERTY OF MOOG MUSIC INC. IT IS NOT TO BE REPRODUCED, USED, OR DISCLOSED EXCEPT TO THOSE WITHIN YOUR ORGANIZATION ON A NEED TO KNOW BASIS. RELEASE TO A THIRD PARTY IS ALLOWED BUT ONLY WITH THE WRITTEN PERMISSION OF MOOG MUSIC INC.	
DESIGN ENG. SD	DATE 2/24/14	 MOOG MUSIC INC. 160 BROADWAY STREET Asheville, NC 28801 (828) 251-0090 Fax (828) 254-6233 http://www.moogmusic.com	
PROJECT MGR. <mgr>	DATE <Date3>		
MANUFACTURING <mfg>	DATE <Date4>	WERKSTATT KB MAIN PCB	
PLANT MANAGER <op mgr>	DATE <Date5>		
PURCHASING <purchasing>	DATE <Date6>	SIZE A1	DWG. NO. BRD-10-011-1111
PRESIDENT <Pres>	DATE <Date7>	FILENAME BRD-10-011-1111_RevA1.sch	PROJECT CODE Werkstatt
DOC. CONTROL <Doc Ctl>	DATE <Date8>	CAD DIRECTORY <directory>	SHEET NO. 5 OF 8

6

5

4

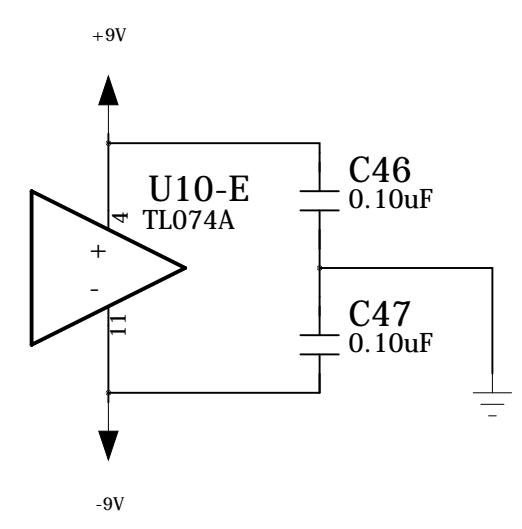
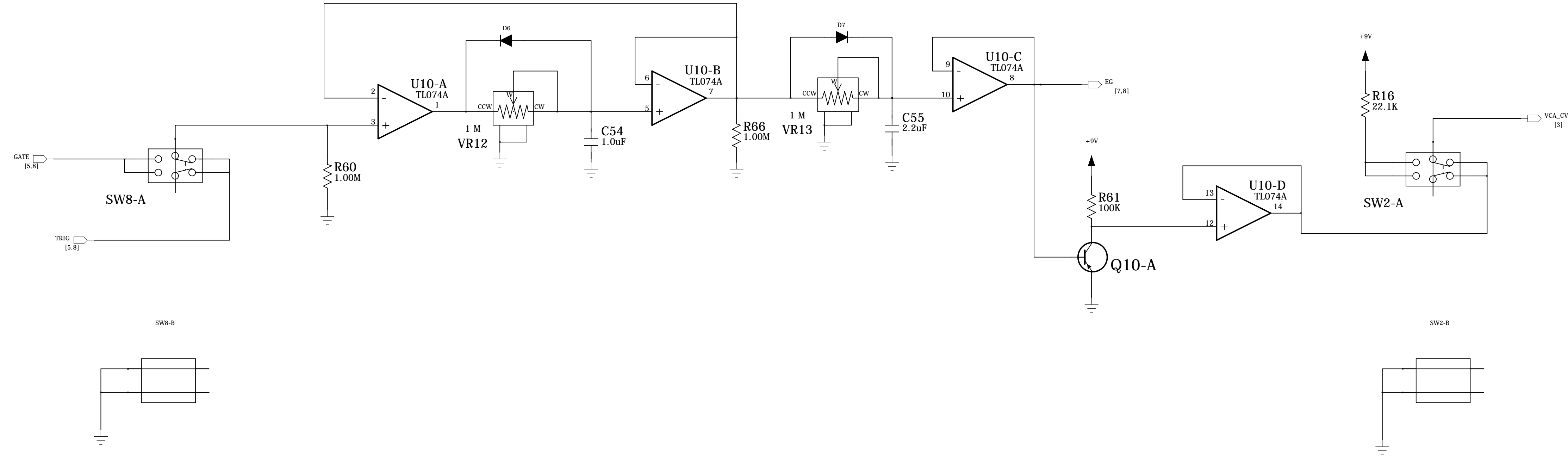


3

2

1

REVISIONS			
REV.	DESCRIPTION	CHANGE BY	DATE
1	PROTOTYPE	SD	12/16/13
A	RELEASE - PILOT	SD	3/17/14
B	2nd RELEASE - PRODUCTION	<RevChangedBy>	<revBdate>



BRD-10-011-1111

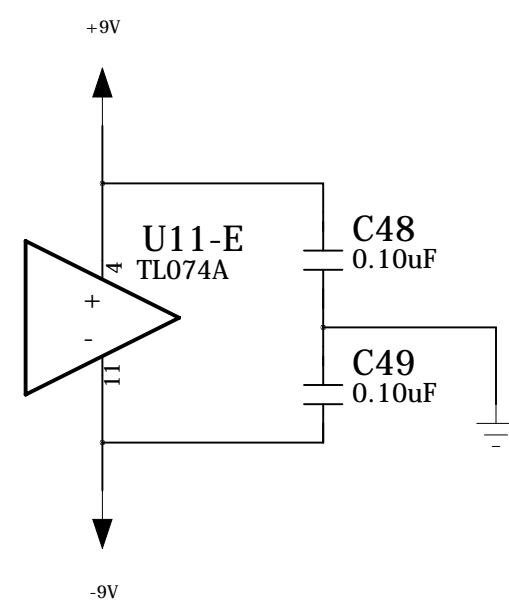
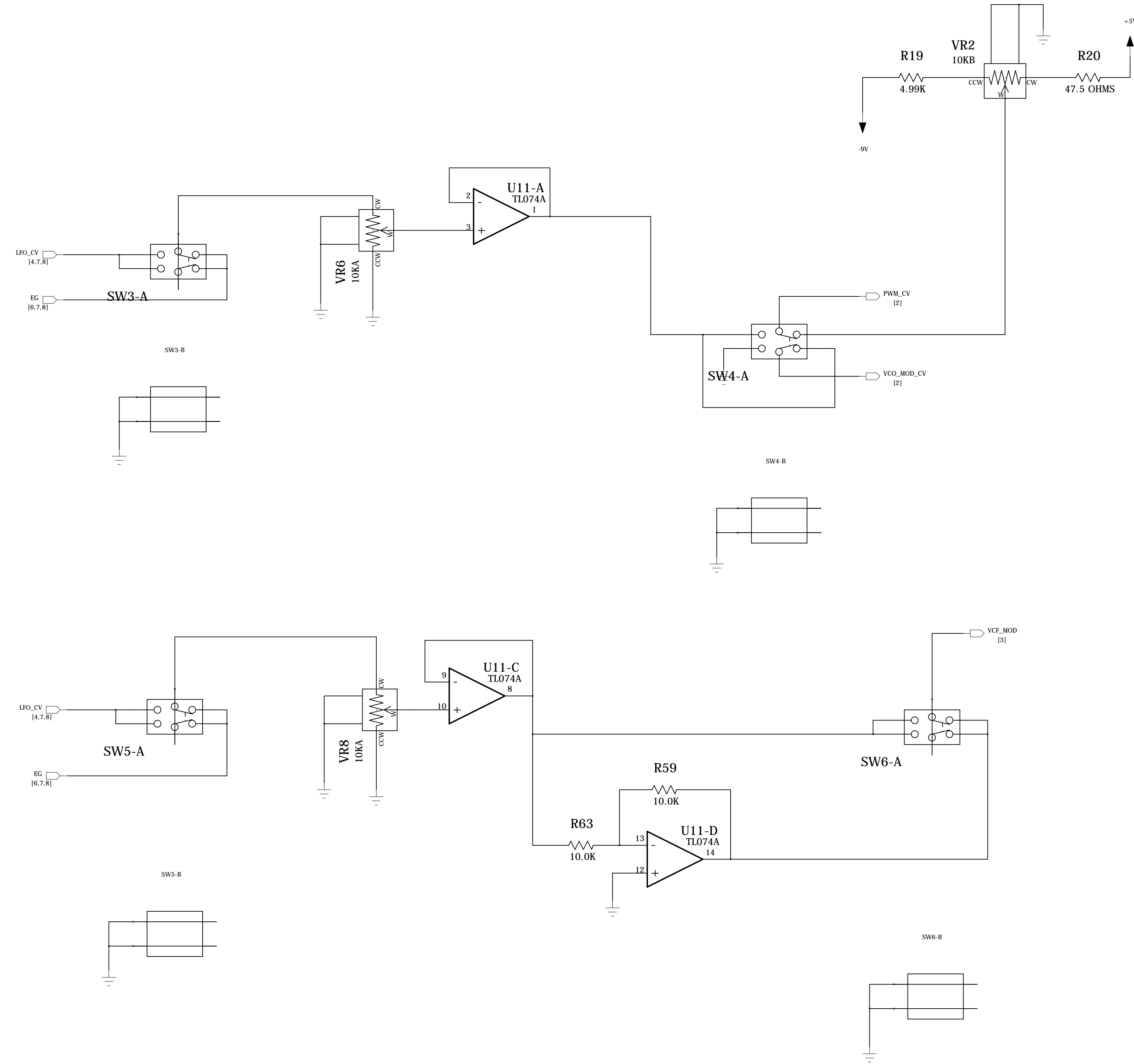
BRD-10-011-1111

NOTES: (UNLESS OTHERWISE SPECIFIED):
 1. RESISTORS 0805, 1%, 1/8W, VALUE IN OHMS
 2. CAPACTORS 0805, X7R, 50V, VALUE IN uF
 CAPS <= 1000pF COG 5% 50V


DRAFTER SD	DATE 3/17/14	THE INFORMATION ON THIS DRAWING IS THE CONFIDENTIAL, COPYRIGHTED PROPERTY OF MOOG MUSIC INC. IT IS NOT TO BE REPRODUCED, USED, OR DISCLOSED EXCEPT TO THOSE WITHIN YOUR ORGANIZATION ON A NEED TO KNOW BASIS. RELEASE TO A THIRD PARTY IS ALLOWED BUT ONLY WITH THE WRITTEN PERMISSION OF MOOG MUSIC INC.	
DESIGN ENG. SD	DATE 2/24/14	MOOG MUSIC INC. 160 BROADWAY STREET Asheville, NC 28801 (828) 251-0090 Fax (828) 254-6233 http://www.moogmusic.com	
PROJECT MGR. <mgr>	DATE <Date3>		
MANUFACTURING <mfg>	DATE <Date4>	WERKSTATT EG MAIN PCB	
PLANT MANAGER <op mgr>	DATE <Date5>		
PURCHASING <purchasing>	DATE <Date6>	SIZE A1	DWG. NO. BRD-10-011-1111
PRESIDENT <Pres>	DATE <Date7>	FILENAME BRD-10-011-1111_RevA1.sch	REV A1
DOC CONTROL <Doc Ctl>	DATE <Date8>	CAD DIRECTORY <directory>	PROJECT CODE Werkstatt
		3/17/2014	SHEET NO. 6 OF 8



REVISIONS			
REV.	DESCRIPTION	CHANGE BY	DATE
1	PROTOTYPE	SD	12/16/13
A	RELEASE - PILOT	SD	3/17/14
B	2nd RELEASE - PRODUCTION	<RevChangedBy>	<revBdate>



NOTES: (UNLESS OTHERWISE SPECIFIED):
 1. RESISTORS 0805, 1%, 1/8W, VALUE IN OHMS
 2. CAPACITORS 0805, X7R, 50V, VALUE IN uF
 CAPS <= 1000pF COG 5% 50V

DRAFTER SD	DATE 3/17/14	THE INFORMATION ON THIS DRAWING IS THE CONFIDENTIAL, COPYRIGHTED PROPERTY OF MOOG MUSIC INC. IT IS NOT TO BE REPRODUCED, USED, OR DISCLOSED EXCEPT TO THOSE WITHIN YOUR ORGANIZATION ON A NEED TO KNOW BASIS. RELEASE TO A THIRD PARTY IS ALLOWED BUT ONLY WITH THE WRITTEN PERMISSION OF MOOG MUSIC INC.	
DESIGN ENG. SD	DATE 2/24/14	 MOOG MUSIC INC. 160 BROADWAY STREET Asheville, NC 28801 (828) 251-0090 Fax (828) 254-6233 http://www.moogmusic.com	
PROJECT MGR. <mgr>	DATE <Date3>		
MANUFACTURING <mfg>	DATE <Date4>	TITLE WERKSTATT MOD_ROUTING MAIN PCB	
PLANT MANAGER <op mgr>	DATE <Date5>	PRESIDENT <Pres>	
PURCHASING <purchasing>	DATE <Date6>	SIZE A1	FILENAME BRD-10-011-1111_RevA1.sch
DOC CONTROL <Doc Ctl>	DATE <Date8>	CAD DIRECTORY <directory>	DWG. NO. BRD-10-011-1111
		PROJECT CODE Werkstatt	REV A1
		SHEET NO. 7 OF 8	

3/17/2014

BRD-10-011-1111

BRD-10-011-1111

6

5

4



3

2

1

REVISIONS			
REV.	DESCRIPTION	CHANGE BY	DATE
1	PROTOTYPE	SD	12/16/13
A	RELEASE - PILOT	SD	3/17/14
B	2nd RELEASE - PRODUCTION	<RevBchanged>	<revBdate>

D

D

C

C

B

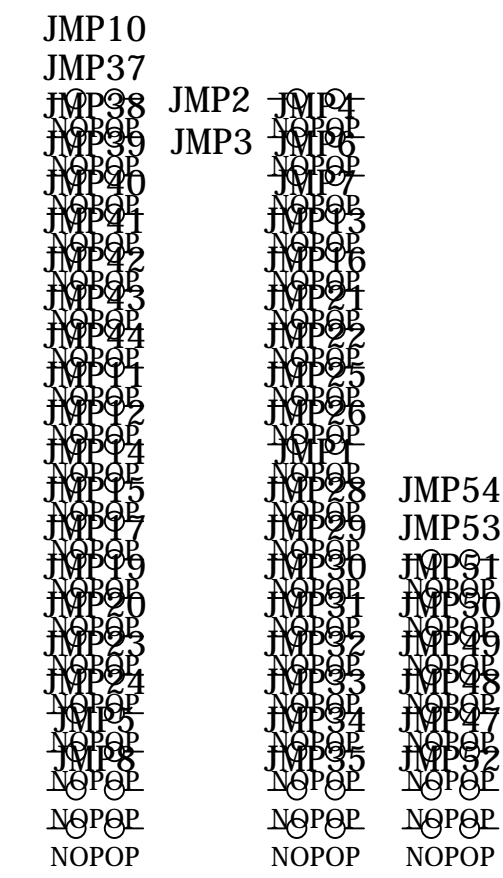
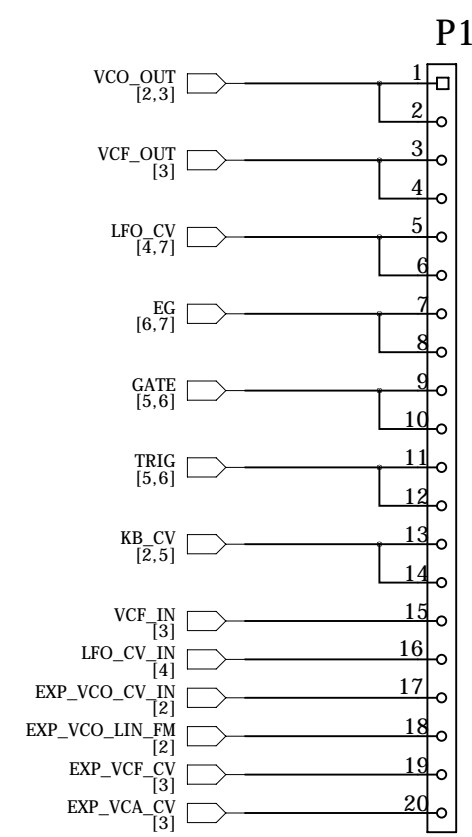
B

A

A

BRD-10-011-1111

BRD-10-011-1111



NOTES: (UNLESS OTHERWISE SPECIFIED):
 1. RESISTORS 0805, 1%, 1/8W, VALUE IN OHMS
 2. CAPACITORS 0805, X7R, 50V, VALUE IN uF
 CAPS <= 1000pF COG 5% 50V

DRAFTER SD	DATE 3/17/14	THE INFORMATION ON THIS DRAWING IS THE CONFIDENTIAL, COPYRIGHTED PROPERTY OF MOOG MUSIC INC. IT IS NOT TO BE REPRODUCED, USED, OR DISCLOSED EXCEPT TO THOSE WITHIN YOUR ORGANIZATION ON A NEED TO KNOW BASIS. RELEASE TO A THIRD PARTY IS ALLOWED BUT ONLY WITH THE WRITTEN PERMISSION OF MOOG MUSIC INC.	
DESIGN ENG. SD	DATE 2/24/14	MOOG MUSIC INC. 160 BROADWAY STREET Asheville, NC 28801 (828) 251-0090 Fax (828) 254-6233 http://www.moogmusic.com	
PROJECT MGR. <mgr>	DATE <Date3>		
MANUFACTURING <mfg>	DATE <Date4>	WERKSTATT IO_EXP MAIN PCB	
PLANT MANAGER <op mgr>	DATE <Date5>		
PURCHASING <purchasing>	DATE <Date6>	SIZE A1	FILENAME BRD-10-011-1111_RevA1.sch
PRESIDENT <Pres>	DATE <Date7>	DWG. NO. BRD-10-011-1111	REV A1
DOC. CONTROL <Doc Ctl>	DATE <Date8>	CAD DIRECTORY <directory>	PROJECT CODE Werkstatt
		SHEET NO. 8 OF 8	

3/17/2014